

## Mounting bracket SPID RAS / BIG-RAS P/N: UA-BR

**UA-BR is a mounting platform which can be used to mount a RF HAMDESIGN Dish (Max 1.9Meter) or other application of your choice, for example a Astronomy Telescope, Camera, Light Box and many more which must be rotated in 2 axes.**



### UA-BR is supplied including:

- All assembly parts, bolts / nuts / washers
- Center tube galvanized steel / wall thickness 3mm
- Holes in the flat plate are designed to mount a RF HAMDESIGN Dish max 1.9M diameter
- Readymade side brackets to mount counter weight arms model **CWA-05** (CWA-05 is optional)

Overall Specifications UA-BR	
Weight (without counter weight arms CWA-05)	5.1Kg
Dimensions HxWxH in mm	440x140x23mm
Maximal diameter center tube	50mm
Diameter supplied center tube	48mm / 3mm wall thickness
Material bracket and bolts / nuts / washers	Steel / galvanized
Maximal mounting weight without counter weight	14Kg
Maximal mounting weight incl. counter weight arms CWA-05	28Kg



Assembled UA-BR, center pipe not shown.



UA-BR included center pipe mounted on SPID RAS Azimuth & Elevation rotor.

**Additional to order part:**

**Counter weight arms for use with UA-BR bracket**

**P/N: CWA-05**



**CWA-05 supplied including:**

- All assembly parts, bolts / nuts / washers
- 6 x clamp to mount CWA-05 on each side of UA-BR.

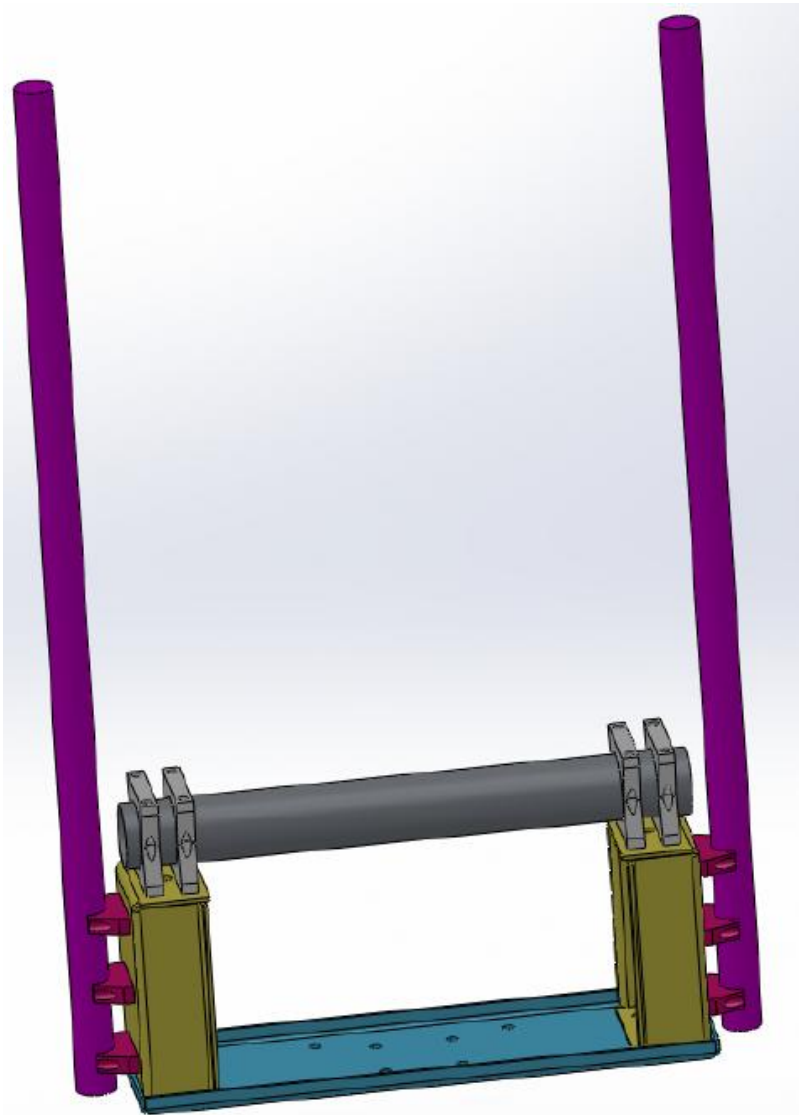
<b>Overall Specifications CWA-05</b>	
Weight CWA-05 incl assembly parts	7.5Kg
Dimensions	L=82cm / Round 25mm
Material CWA-05 bolts / nuts / washers / clamp	Steel / galvanized
CWA-05	CWA-05 can be used with exercise weights having a maximum hole diameter of 25mm. (Multiple weights can be placed to create balance.)

**Not included:**

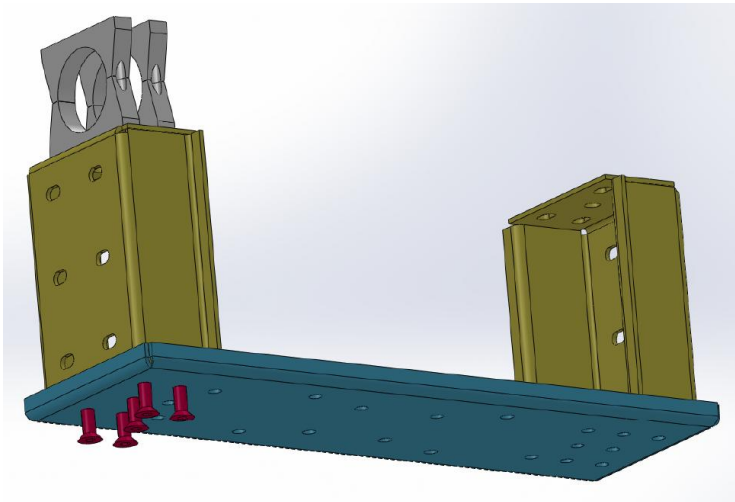
Counter weights itself, advised is to use for example: exercise weights



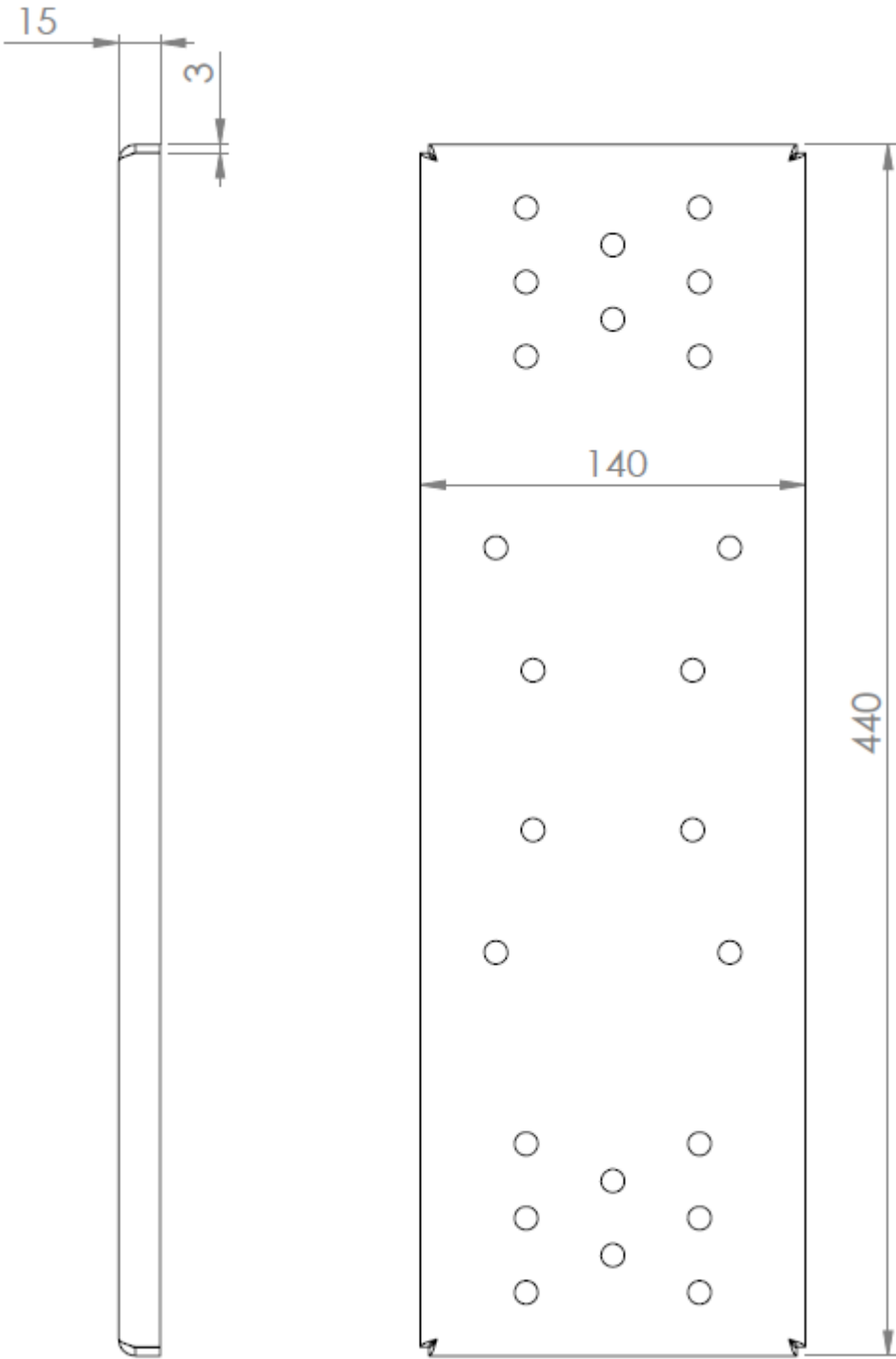
# UA-BR assembly and dimensions



UA-BR Mounting bracket and CWA-05 counter weight arms



**UA-BR dimensions Base Plate in mm:**



**UA-BR dimensions Side mounting brackets in mm:**

